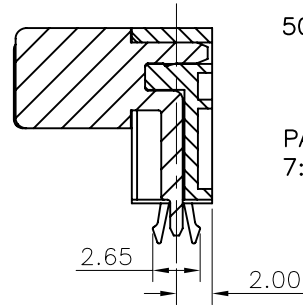
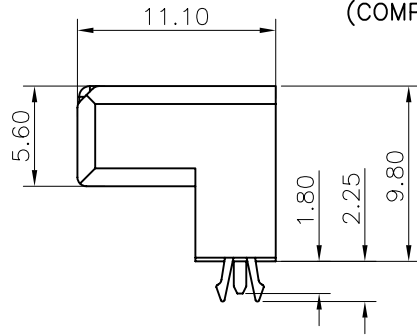
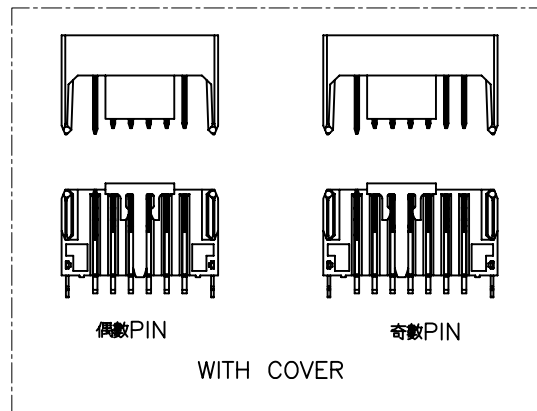


RECOMMEND PCB LAYOUT
(COMPONENT SIDE)

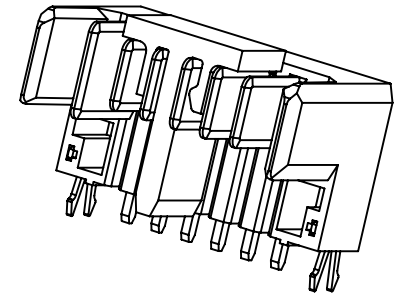


SECTION A-A



- NOTES:
- MATERIAL:
 - HOUSING: THERMOPLASTIC, HIGH TEMP.,UL94V-0
 - CONTACT: COPPER ALLOY.
 - HOOK: COPPER ALLOY.
 - FINISH:
 - CONTACT: GOLD FLASH OVERALL. 50u" MIN. NICKEL UNDERPLATING OVERALL.
 - HOOK: 50u" MIN. NICKEL UNDER PLATING OVER ALL 120u" MIN. PURE TIN PLATING OVER ALL
 - REFLOW SOLDER CAPABLE TO 260° C PER ACES SPEC.
 - SPEC.PLS REFER TO PS-50975-XXXX-XXX
 - PACKAGE PLS REFER TO 50987-XXXX-TRP
 - PART NUMBER

50987-XXX X X-XXX
 CKTS XXX Color
 001 Black
 PACKING PLATING
 7:TAPE & REEL 1: G/F OVERALL (LEAD FREE) WITH COVER



一般公差 TOLERANCES X ±0.5 XX ±0.15 X ±0.25 XXX ±0.1 ANGLES ±2°		宏致電子股份有限公司 Aces Electronic Co.,Ltd.	
檢驗尺寸標示 SYMBOLS Ⓢ Ⓜ INDICATE CLASSIFICATION DIMENSION Ⓢ MARK IS CRITICAL DIM. Ⓜ MARK IS MAJOR DIM.		品名 (TITLE) 2.00mm Battery Conn. Male DIP R/A Type H=9.80 圖號 (DWG.NO) 50987-XXXX-XXX	製圖 (DR) Ring '09/08/23 審核 (CHKD) Sam 核准 (APPD) Jason
表面處理 (FINISH)		比例 (SCALE) 單位 (UNITS) 2:1 mm	張數 (SHEET) 1 OF 1 尺寸 (SIZE) A4 版次 (REV) 0

0	RELEASED DRAWING (ECN-0908201)	'09/08/27	Ring
修訂 REV	描述 REVISION DESCRIPTION	日期 DATE	申請人 SIGNATURE